

EBCHQ



HY—Motor run capacitor series
Model: HY1

Applications

Starting and running of single phase motors in alternating current usage.

Manufacturing

Self-healing metallized polypropylene film capacitors.

Non inductive winding.

Wound capacitor elements fully immersed into resin..

Self-extinguishing plastic case.

Executions: Flat bottom-metal fixing stud M8×12

faston terminals 0.8×6.35 s

standard distance $p=13.2\text{mm}\pm 0.5$

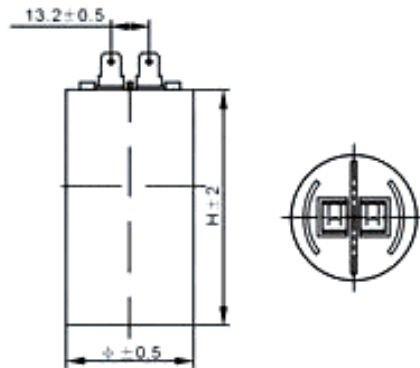
unipolar cable-bipolar cable

discharge resistance-plastic cover

Technical characteristics

Range	1-120 μ F
Rated voltage V_n	450VAC
Rated frequency	50Hz;60Hz
Capacitance tolerance	$\pm 5\%$; $\pm 10\%$
Climatic category	-25+85°C
Dissipation factor(at 50Hz-100Hz and 20°C)	≤ 0.002
Test voltage between armatures	$2.15 \times V_n$ for 2s
Test voltage between terminals and case	2.5kV.ac for 1s
Reference standard	EN 60252

Products Overall Dimension



Dimensions(mm)

voltage(VAC)	Ref.	Capacitance(μ f)	D×H(mm)	Leads
450V	64300	5 μ F	32×55	Faston Conector
	64302	10 μ F	36×58	
	64304	12 μ F	36×70	
	64306	15 μ F	40×70	
	64308	20 μ F	40×70	
	64310	25 μ F	40×70	
	64312	30 μ F	45×92	
	64314	35 μ F	45×92	
	64316	40 μ F	45×92	
	64318	50 μ F	50×92	