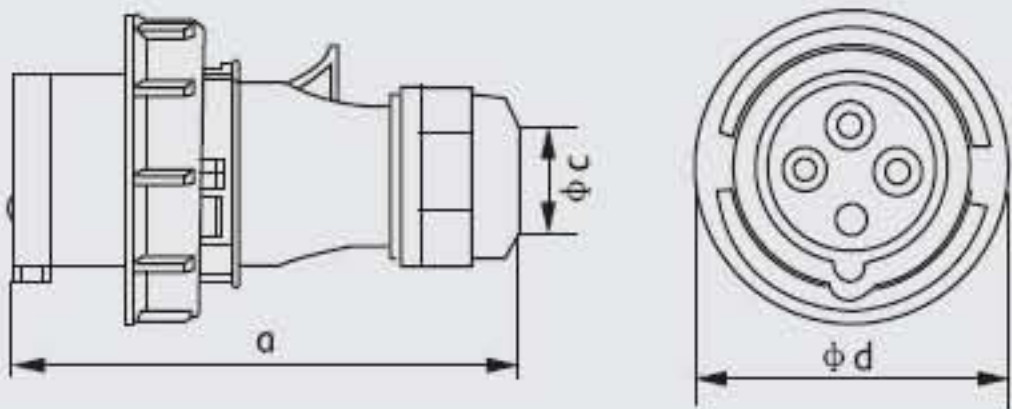




## 14900



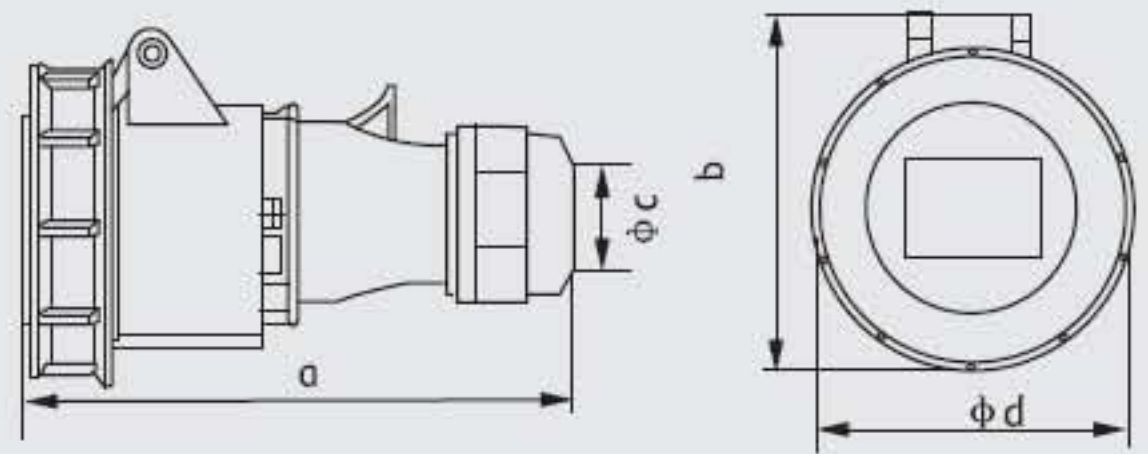
> Current: 16A	earth contact position	6h
	Pole	4
> Voltage: 380~415V~3P+E	a	125
	dimension(mm)	b 79
> IP 67 watertight	c	12
	cable nominal cross-section area(mm <sup>2</sup> )	1-2.5



## 14902



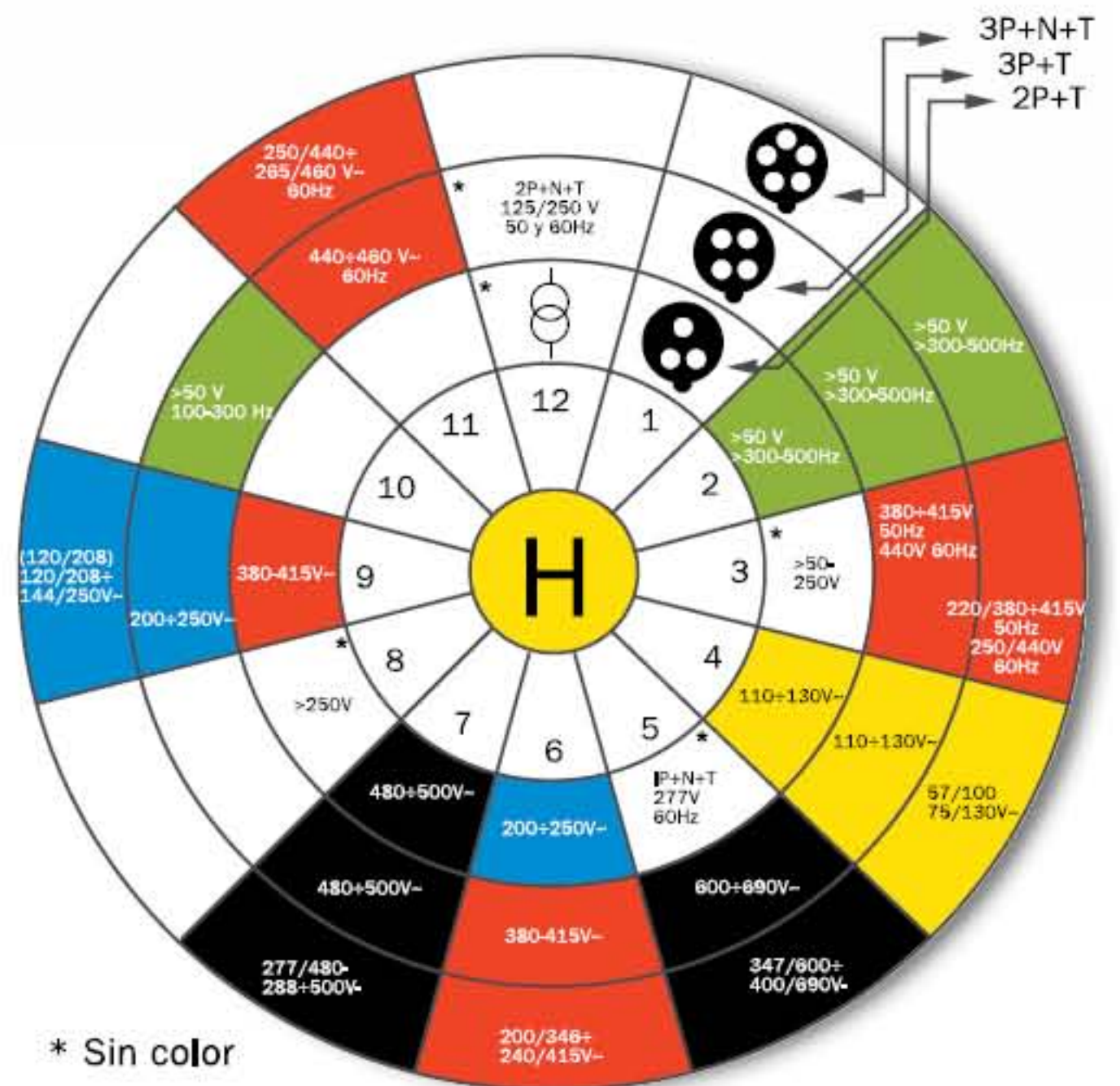
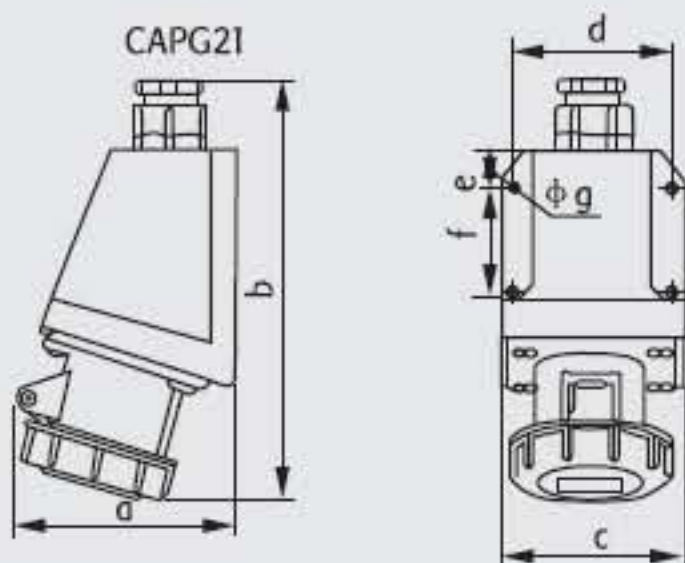
> current: 16A	earth contact position	6h
	Pole	4
> voltage: 380-415V~3P+E	a	138
	dimension(mm)	b 85
> IP 67 watertight	c	12
	cable nominal cross-section area(mm <sup>2</sup> )	1-2.5



## 14904



> Current: 16A	earth contact position	6h
	Pole	4
> Voltage: 380-415V~3P+E	a	100
	dimension(mm)	b 184
> IP 67 watertight	c	81
	d	71
e	16.5	
f	47.5	
g	5.2	
cable nominal cross-section area(mm <sup>2</sup> )	1-2.5	



### POSICIÓN DEL TOMA DE TIERRA

